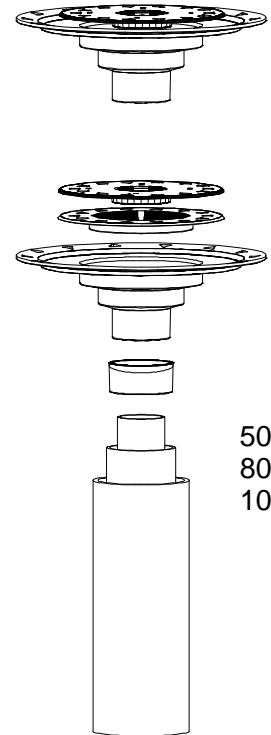
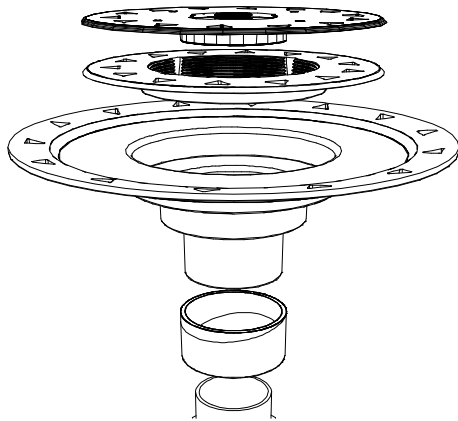
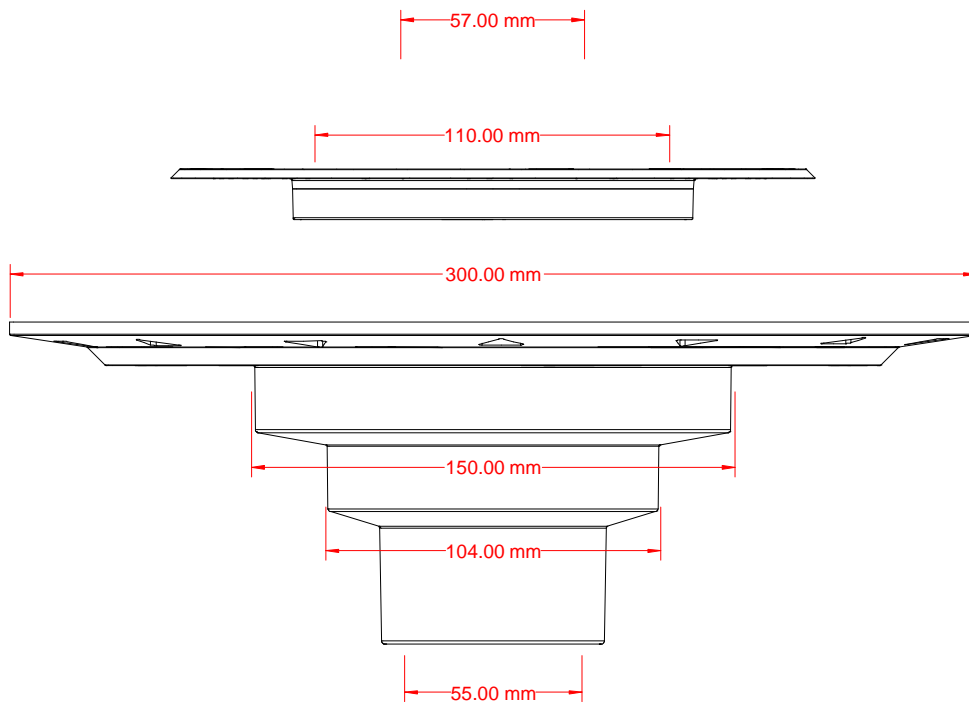


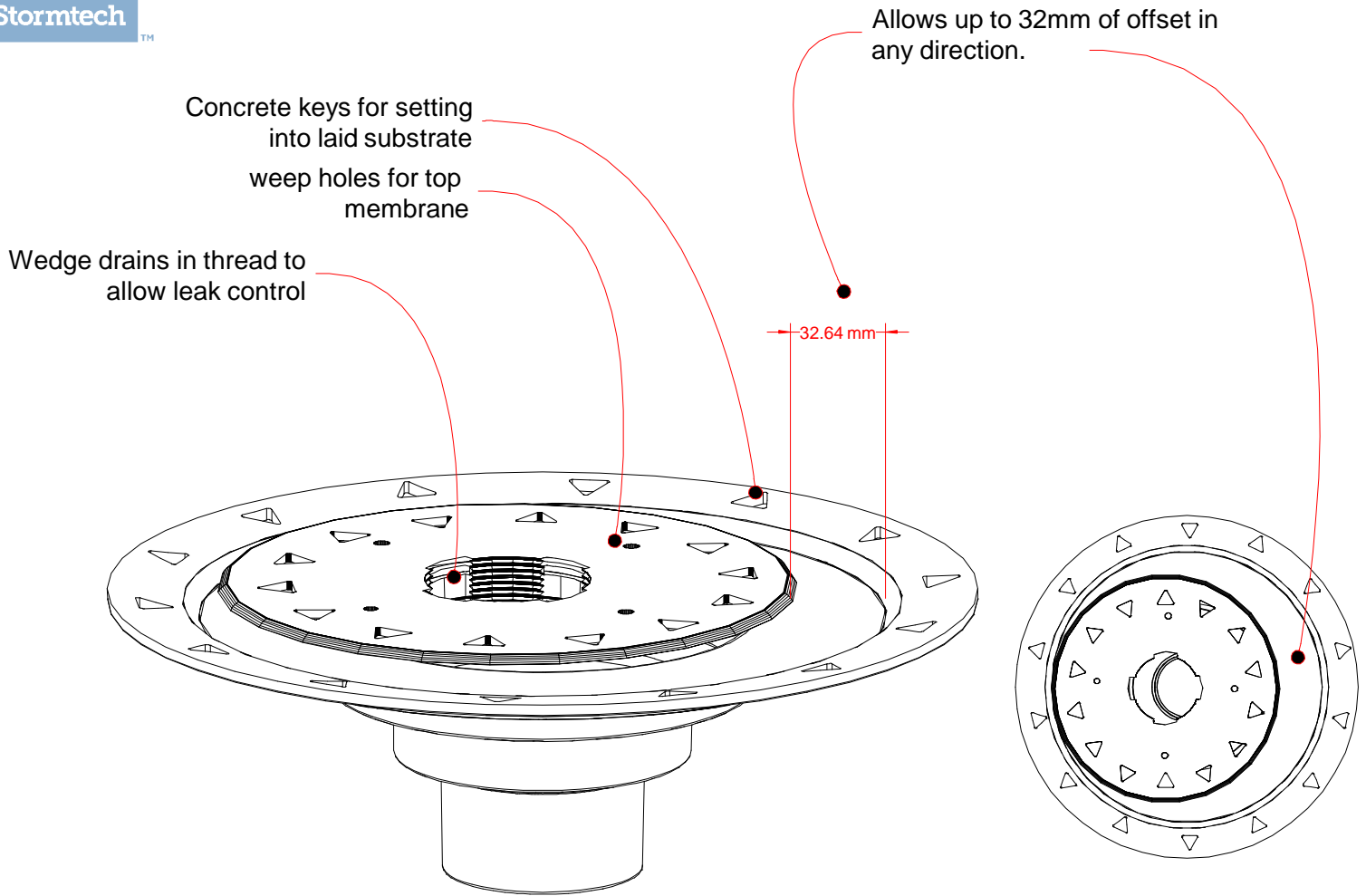
# ALCF Adjustable Leak Control Flange



50 DWV  
80 DWV  
100 DWV

Suits pipe sizes 50, 80, 100 DWV  
Accepts 50, 80 & 100mm spigots from grated drains





Accepts and leak controls a top layer of waterproofing membrane to allow direct adhesion of porous tiles such Travertine and soft marbles.

