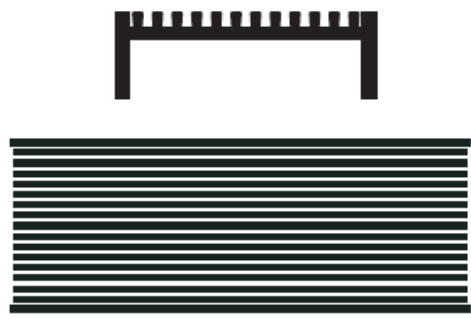


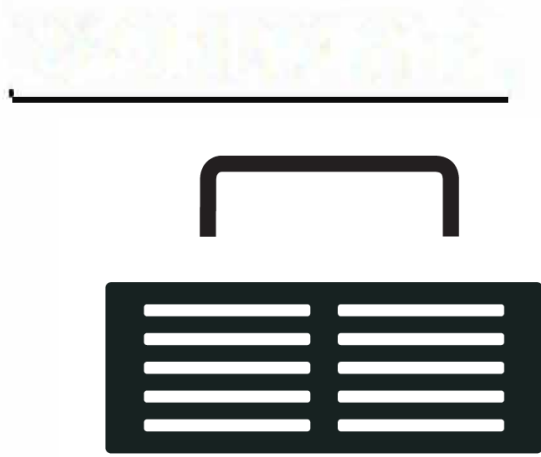


Standard Grate Size

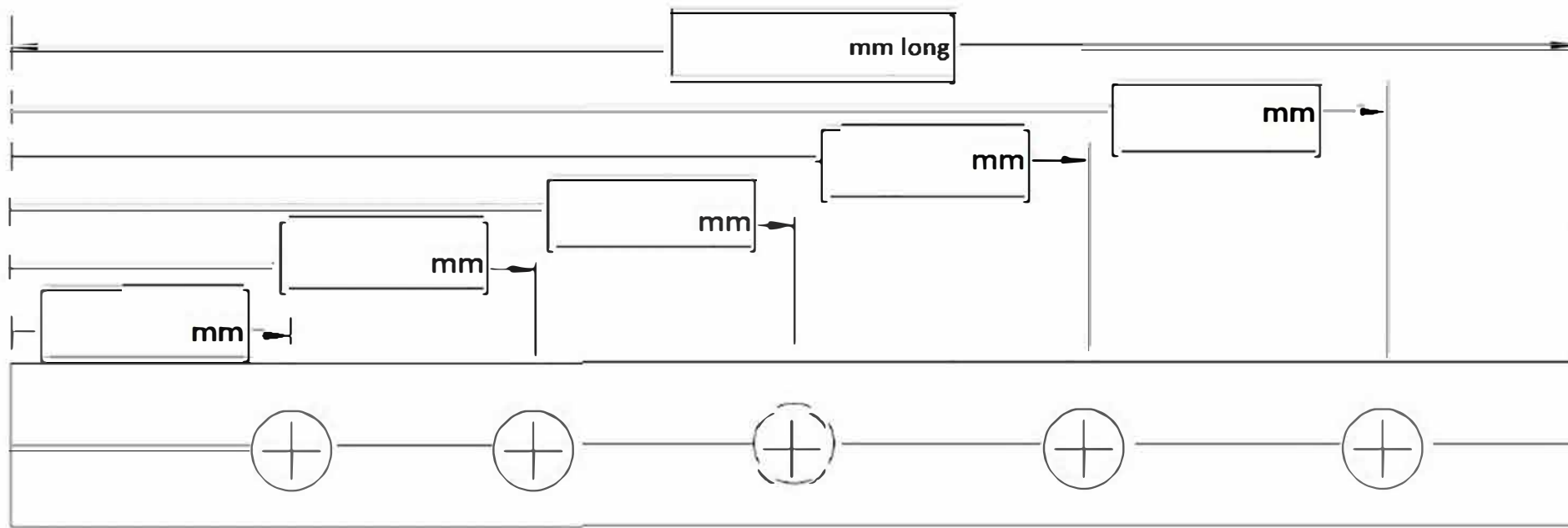
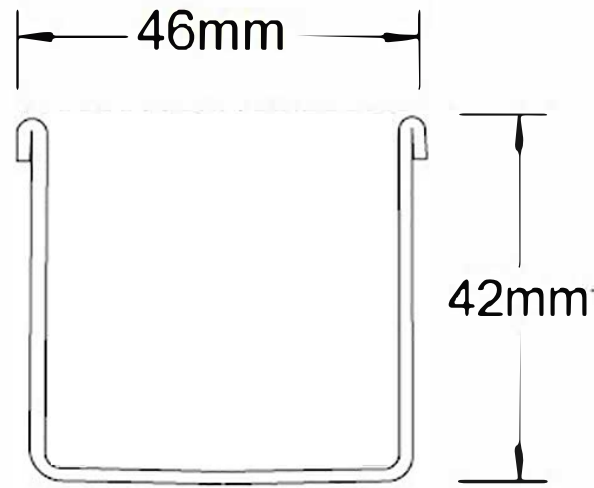
Made-to-Length Order/Quote Form
38x40 Grate and Channel order - Multiple outlets



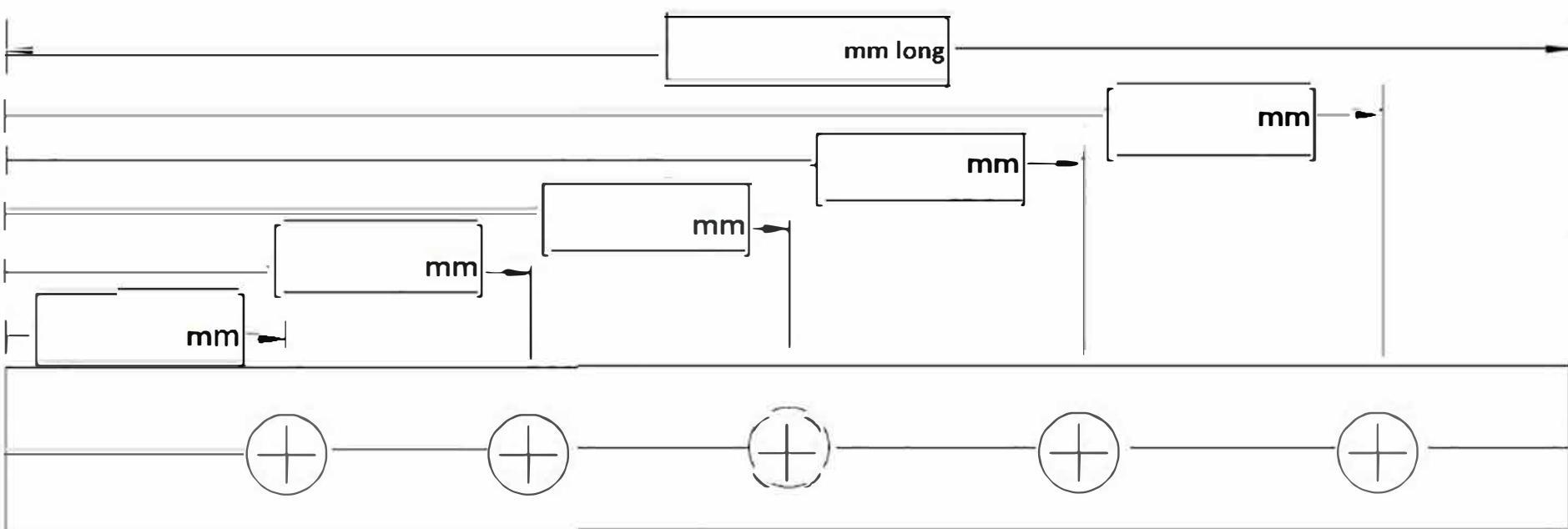
AR Architectural
 2mm wire
 2.5mm gap



PS Punched Slot



- Outlet Size**
- 25mm
 - 32mm



- Outlet Size**
- 25mm
 - 32mm

Full Name

Company Name

Telephone

Email Address

Order Number

Stormtech Quote Number

Signature

Please Note
 See AS3500 standard & local regulator for specific outlet/drain requirements.
 Outlet Size must be smaller than selected Range.
 Marc Newson (MND) grate style not available with Profiles 2 or 4.
 Stainless Steel Grade is 316 unless specified.
 Lengths under 750mm charged at 0.75m rate.
 Orders received after 11am are processed as next working day.