

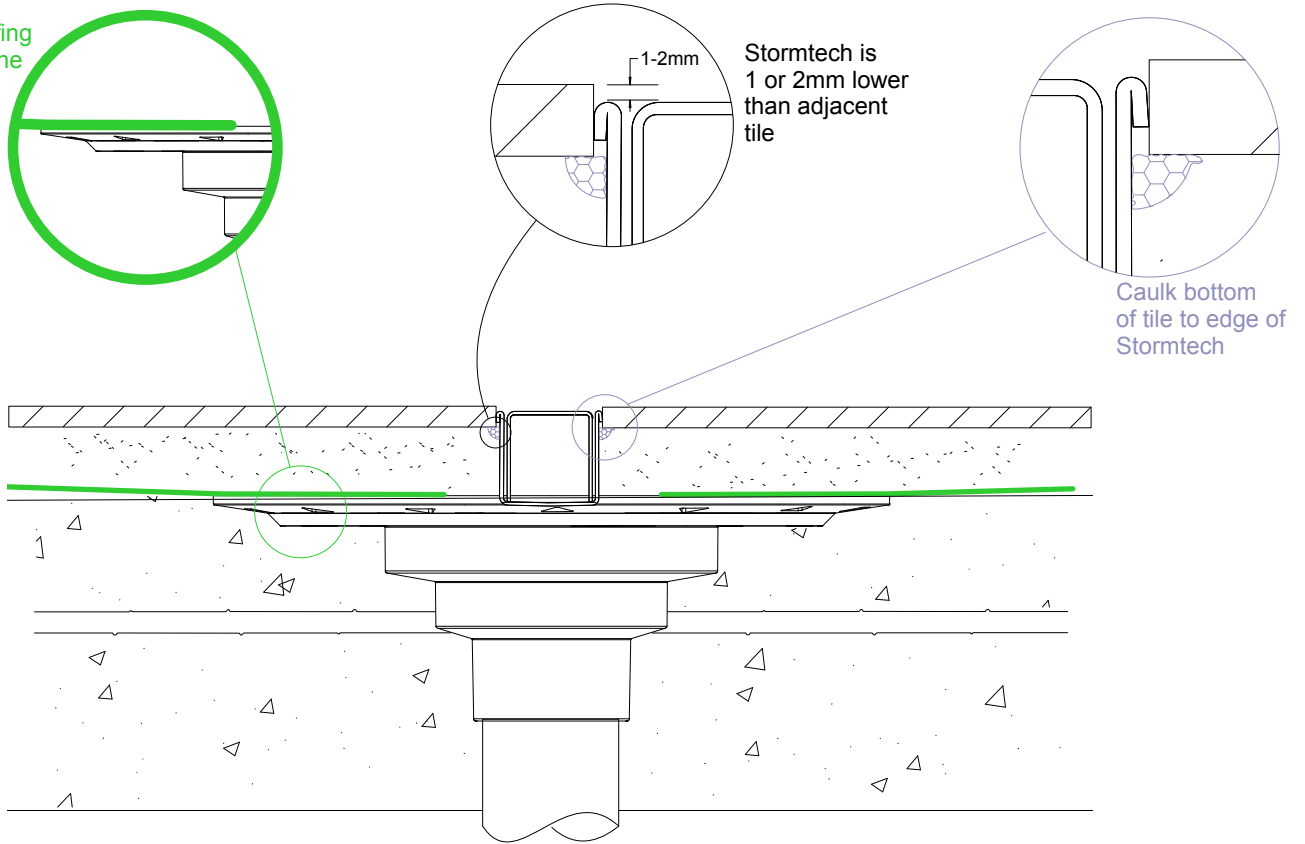
# 38MTL Concrete Floor or Deck

For 38ARi409MTL, 38PSi40MTL and 38PHi40MTL



## Slab on Ground

Waterproofing is fixed to the floor flange



## Suspended Slab

